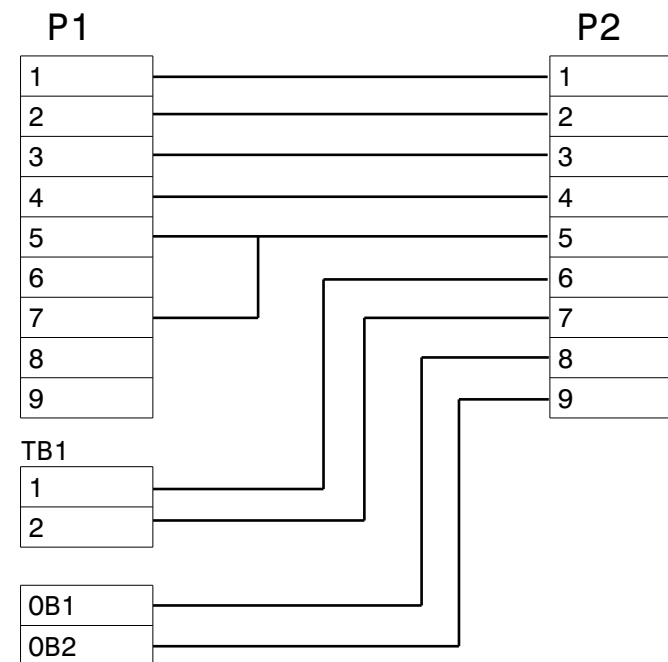


Sl No.	Component	Quantity
	Solder Wire - Leaded/Lead Free	AR
	Paper Stickers for Temporary Marking	AR
13	ATC, FRLS PVC, UL1007/UL1015-7/36 AWG or PTFE Multistrand 22 AWG Wire	AR
12	Shrink Sleeve on Lap Splice with Lash	1
11	Label (For Participant Name, Company, Date)	1
10	Cable Ties	10
9	Nylon Braid	150 mm
8	Shrink Sleeve on Solder Cup	9
7	Shrink Sleeve for Nylon Braid	1
6	Machined Contact	9
5	Pre-Insulated Closed Barrel Ring Lug	2
4	Open Barrel Contact	2
3	Back Cover	1
2	D-Type Solder Cup Connector	1
1	D-Type Crimped Connector	1



Wire Harness Skill Contest - Preliminary

Prepared By	TNP	IPC India	02-Sep-21
Approved By	KK	DWG NOT TO SCALE	Page 1/1